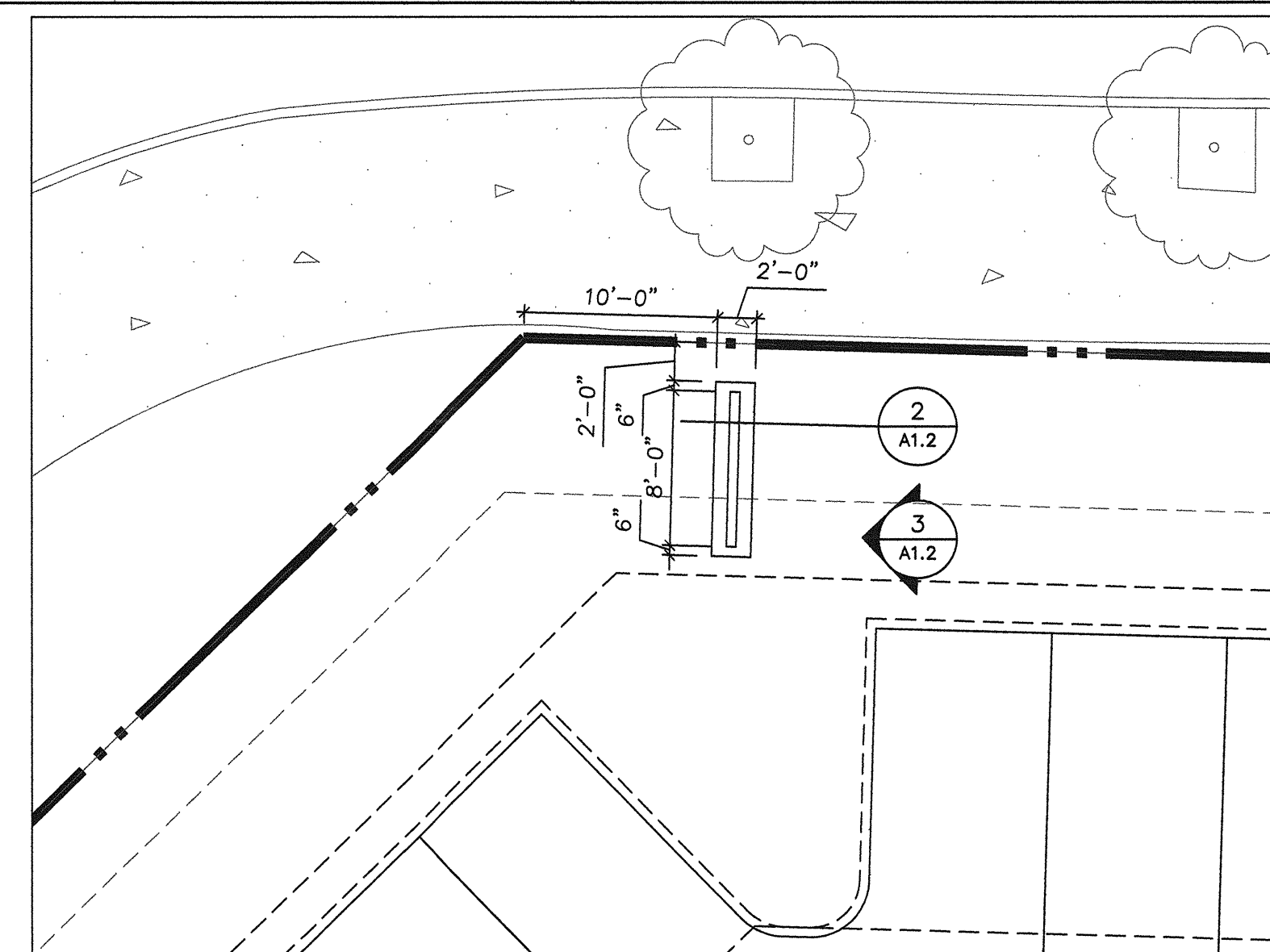
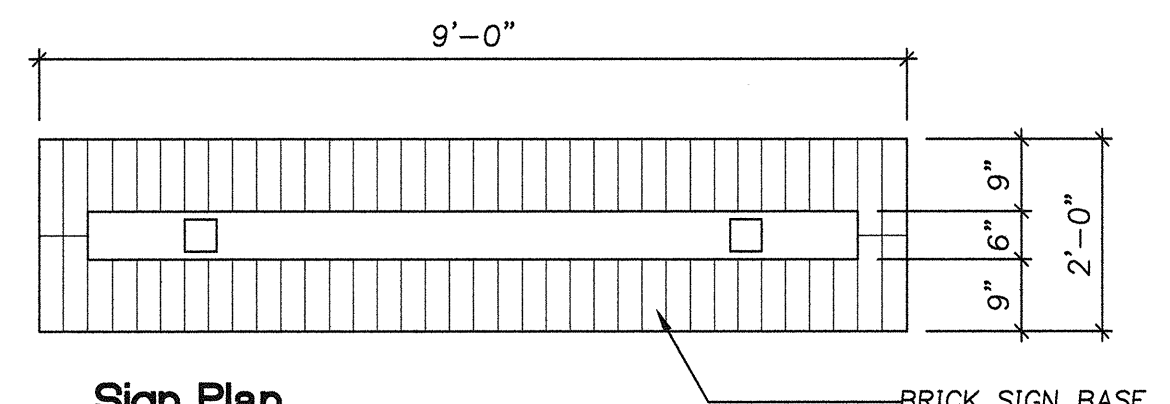


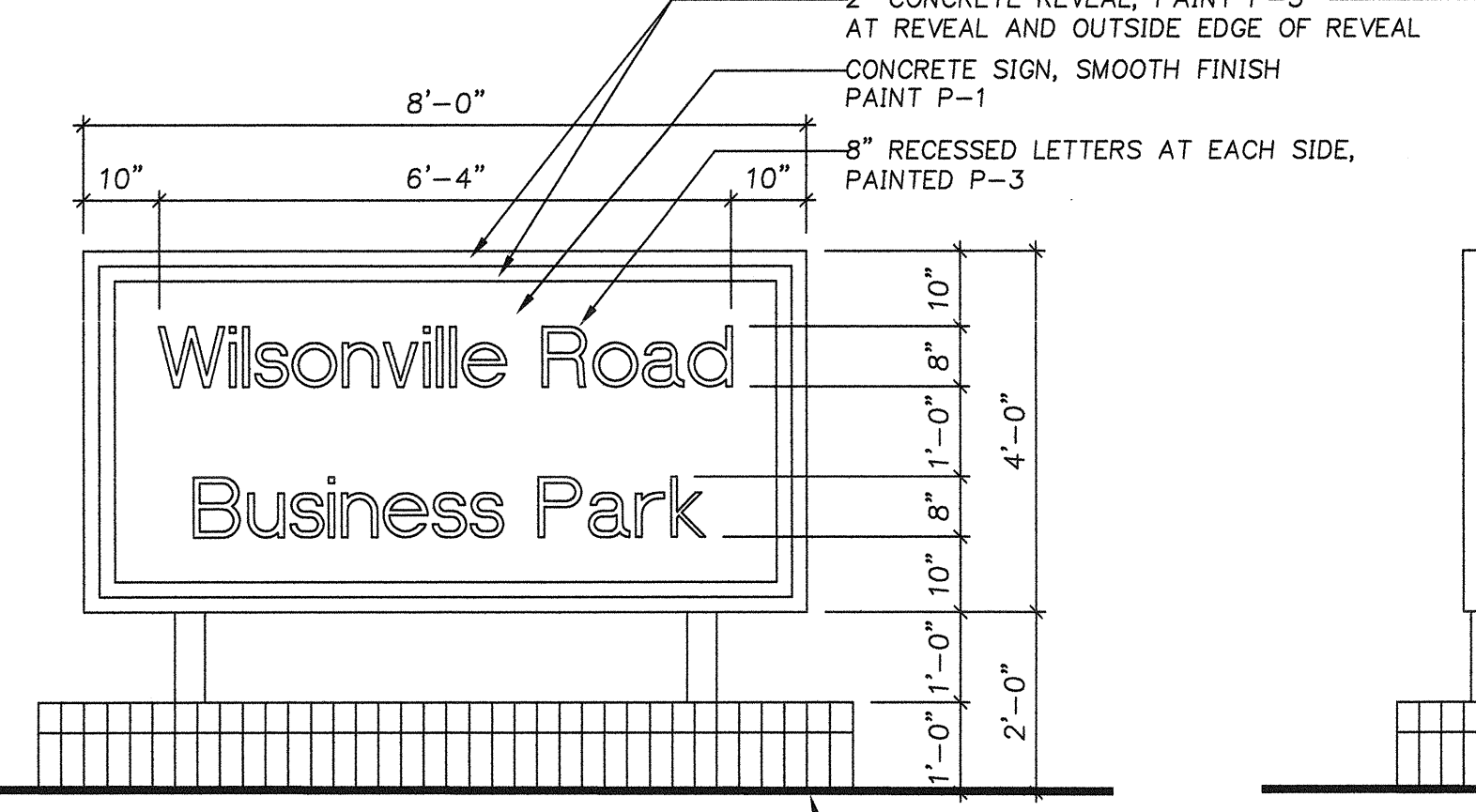
Site Plan  
 0 15 30 60



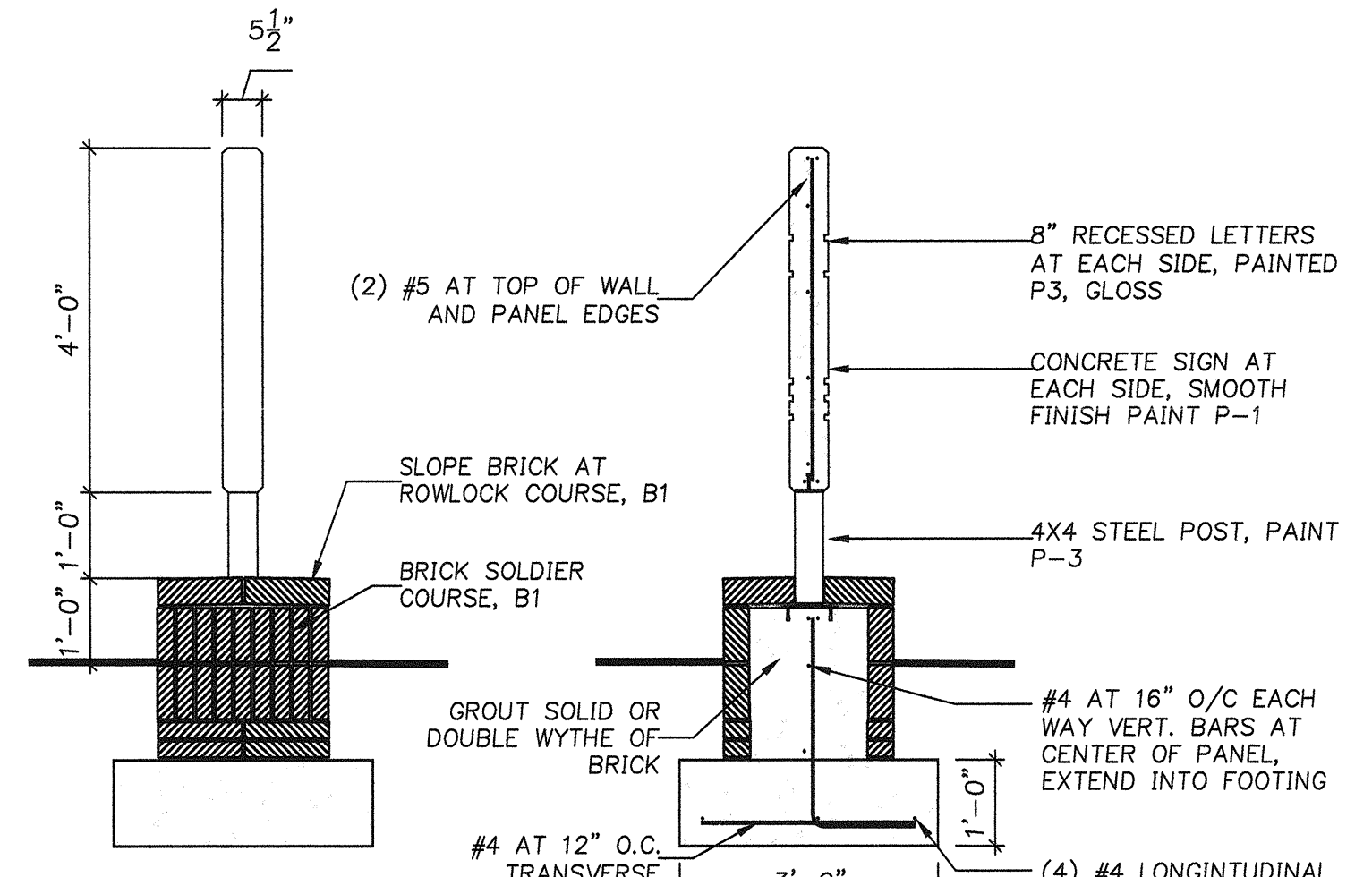
1 Enlarged Sign Plan  
 0 2 4 8 16



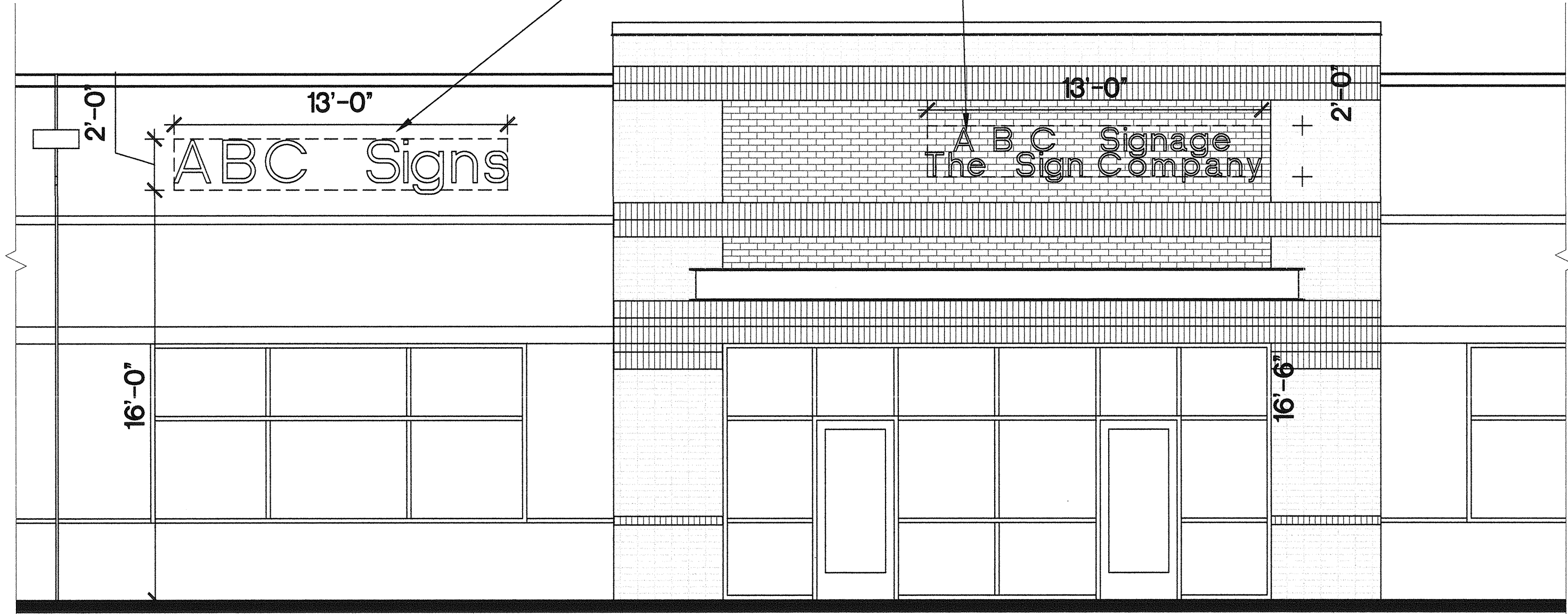
Sign Plan



3 Freestanding Signage  
 0 1 2 4 8 16



2 Freestanding Signage Section  
 0 1 2 4 8 16



4 Enlarged Typical North Elevation  
 0 1 2 4 8

SIGNAGE AREA 26 SF PER TENANT BAY (23 POSSIBLE TENANT SIGNS), 600 SF TOTAL COMPANY LOGO TO BE INCLUDED IN ALLOWABLE SIGNAGE AREA  
 TYPICAL WALL FLAT SIGNAGE:  
 PAINTED GATORFOAM SIGNAGE, WOOD FIBER IMPREGNATED RESIN SIGN WITH POLYSTYRENE FOAM CORE,  
 ALUMICORR OR ALUMALITE SIGNAGE ALUMINUM SHEET MOUNTED ON A CORRUGATED PLASTIC CORE,  
 RETAIL WALL FLAT SIGNAGE:  
 INTERNAL LIGHTED SIGNAGE, OR SIGNAGE SIMILAR TO TYPICAL SIGNAGE  
 NOTE: COLOR, FONT AND COMPANY LOGOS TO BE EVALUATED ON A CASE BY CASE BASIS