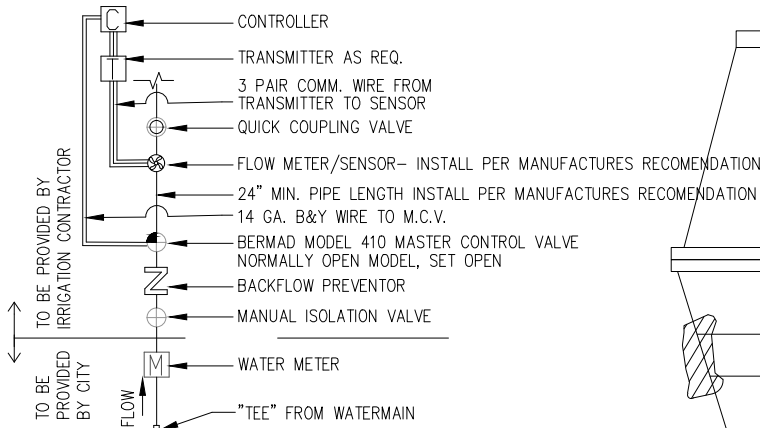
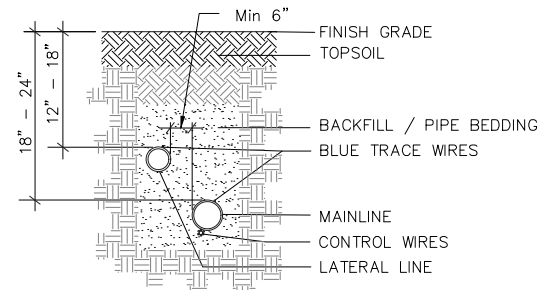


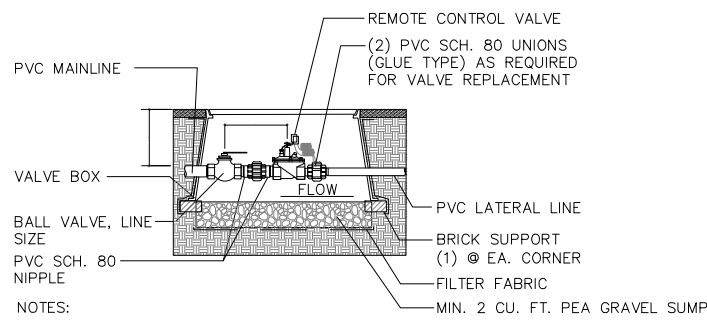
This Detail Drawing may not be altered or changed in any manner except by the City Engineer. It is the responsibility of the user to acquire the most current version.



Schematic-Point of Connection

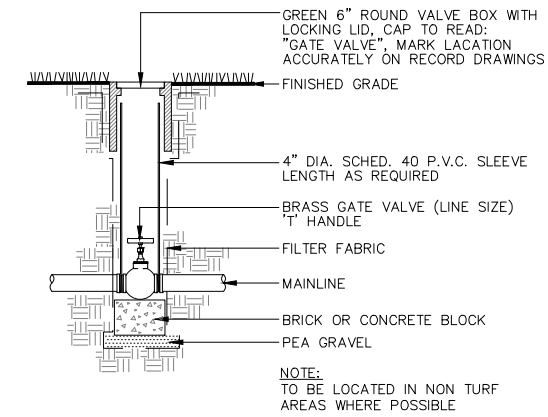


Section Trenching

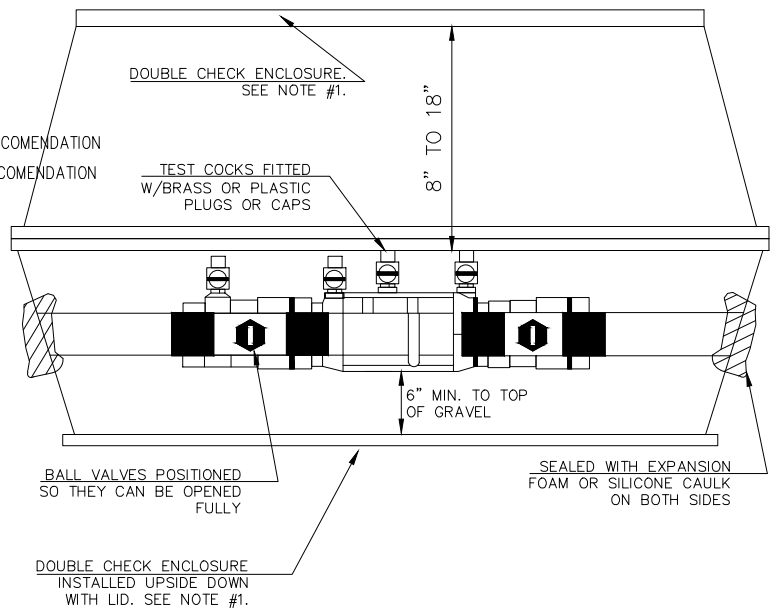


- NOTES:
1. PROVIDE EXPANSION COILS AT EACH WIRE CONNECTION IN VALVE BOX (WRAP AROUND 1/2" PIPE 15 TIMES)
 2. VALVE BOX TO BE GREEN 8" ROUND BOX WITH LOCKING LID. MARK LOCATION ACCURATELY ON RECORD DRAWINGS.
 3. COMPACT SOIL AROUND VALVE BOX 85% DENSITY.
 4. PROVIDE TEFLON TAPE AT ALL THREADED CONNECTIONS

Section- Remote Control Valve

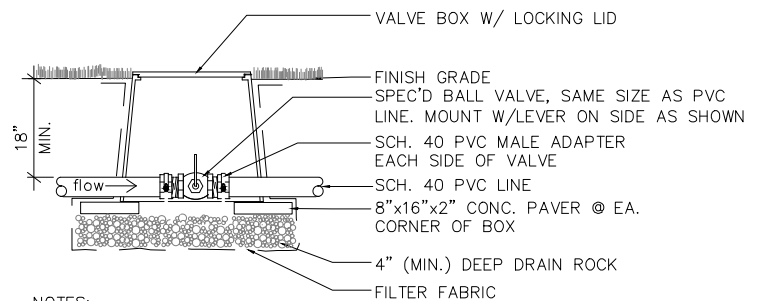


Section-Manual Gate Valve



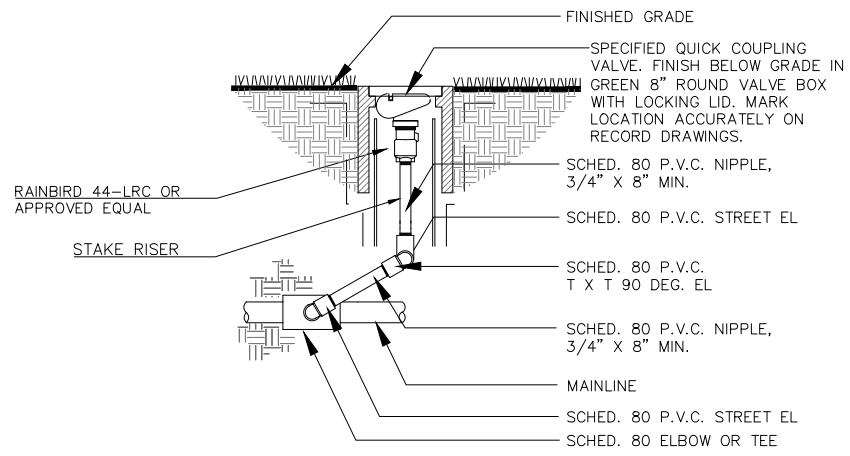
- NOTE:
1. DOUBLE CHECK ASSEMBLIES 1" & SMALLER, INSTALL PENCELL PLASTIC PE-20 BOX WITH COVER OR APPROVED EQUAL. FOR ASSEMBLIES LARGER THAN 1", BUT 2" OR LESS INSTALL CARSON IND. SERIES 1730D BOX WITH COVER OR APPROVED EQUAL.
 2. GRAVEL MUST BE MINIMUM OF 6" DEPTH AND BE CLEAN AND COMPACTED. CRUSH AND RUN IS NOT ACCEPTABLE.

Double Check Assembly Detail



- NOTES:
1. PVC PIPE FITTINGS TO BE THE SAME SIZE AS PVC LINE
 2. USE TEFLON TAPE ON ALL THREADED CONNECTIONS
 3. PLACE PIPE ANCHORS OVER FITTINGS. BEND EMBEDDED ENDS RIGHT ANGLES 1" MIN.

Section -Isolation/Manual Valve




Section-at Grade Quick Coupler

Public Right-Of-Way Irrigation Details Part 1

DRAWING NUMBER: WT-3120	DRAWN BY: SR	SCALE: N.T.S.
FILE NAME: WT-3120.DWG	APPROVED BY: NK	DATE: 2/22/18

CITY OF WILSONVILLE



PUBLIC WORKS STANDARDS