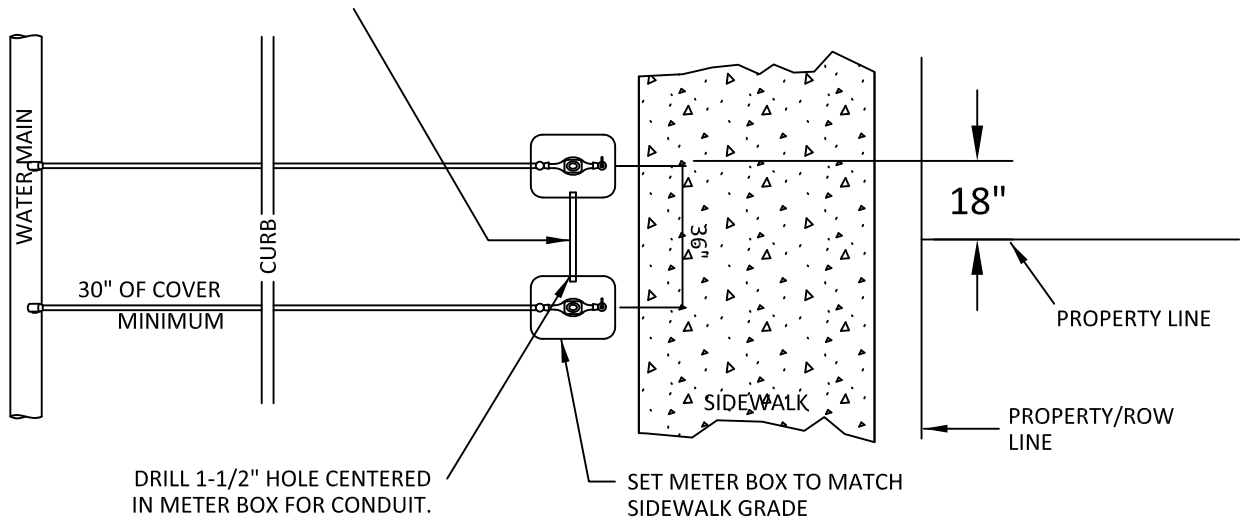


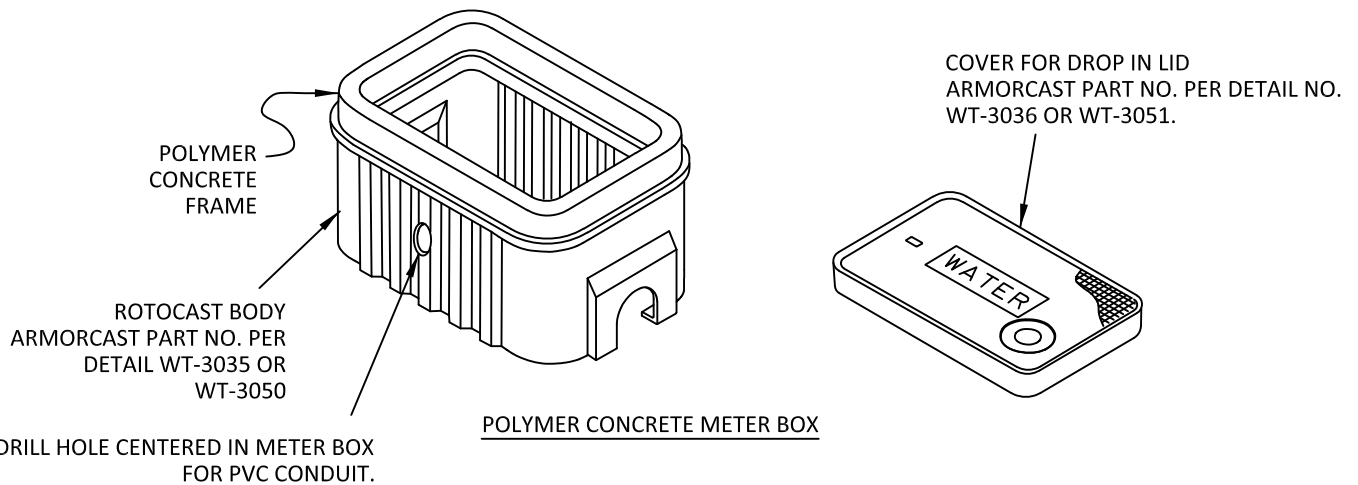
RIGID CONDUIT, PVC SCHEDULE 40, 1-1/4" DIAMETER (GRAY). CLEAN OUT CONDUIT AND DUCT TAPE OR PLUG ENDS. PIPE SHALL EXTEND INTO THE METER BOX 1-1/2" TO 2"

METER INSTALLED BY CITY WATER DEPT.



DRILL 1-1/2" HOLE CENTERED IN METER BOX FOR CONDUIT.

SET METER BOX TO MATCH SIDEWALK GRADE



POLYMER CONCRETE METER BOX

**NOTES:**

1. SUBSTITUTES FOR ANY MATERIALS SHOWN SHALL BE APPROVED PRIOR TO CONSTRUCTION BY THE CITY'S AUTHORIZED REPRESENTATIVE.
2. ALL PIPE AND STRUCTURE ZONES SHALL BE BACKFILLED USING 3/4"-0 CRUSHED AGGREGATE AND COMPACTED TO 95% MAXIMUM DENSITY AS DETERMINED BY AASHTO T-180.
3. WHEN AN ACTIVE CATHODIC PROTECTED SYSTEM IS ENCOUNTERED, SCH. 40 PVC SHALL BE INSTALLED AS SHOWN IN DETAILS W-3030 OR W-3045.
4. METER BOXES SHALL BE PLACED 18" OFF PROPERTY LINE AND SHALL BE PLACED IN PAIRS, 36" APART, WHENEVER FEASIBLE.
5. METER BOX SHALL BE CENTERED OVER THE COMPLETED METER ASSEMBLY.
6. METER BOX SHALL BE LOCATED IN PLANTER AREAS ONLY.
7. METER BOX HEIGHT ADJUSTMENTS ON EXISTING SERVICES SHALL BE MADE WITH MANUFACTURER METER BOX EXTENSION OR BY STACKING METER BOXES AS APPROVED BY THE MANUFACTURER.
8. METER BOX SHALL MATCH SIDEWALK GRADE (IF SIDEWALK EXISTS) OTHERWISE SET FLUSH WITH SURROUNDING GROUND SURFACE.
9. METER BOX SHALL BE LOCATED BEHIND THE SIDEWALK AT LOCATIONS WITH CURB TIGHT SIDEWALK.
10. EACH PROPERTY SHALL HAVE AN INDIVIDUAL WATER SERVICE FROM THE WATER MAIN. SHARED OR DOUBLE WATER SERVICES ARE NOT ALLOWED.

**DUAL REMOTE READER**

**CITY OF  
WILSONVILLE**



DRAWING NUMBER: WT-3100

DRAWN BY: SR

SCALE: N.T.S.

FILE NAME: WT-3100.DWG

APPROVED BY: NK

DATE: 6/4/14

**PUBLIC WORKS STANDARDS**