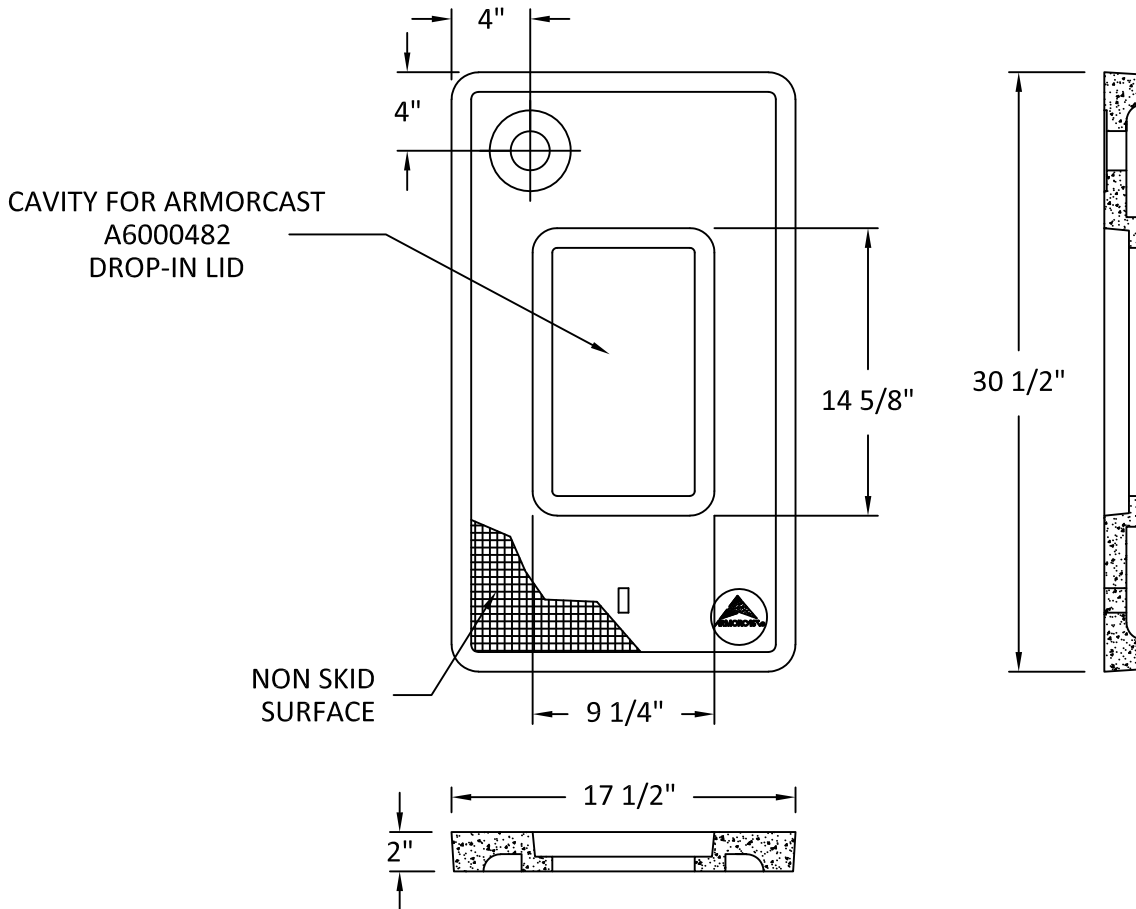
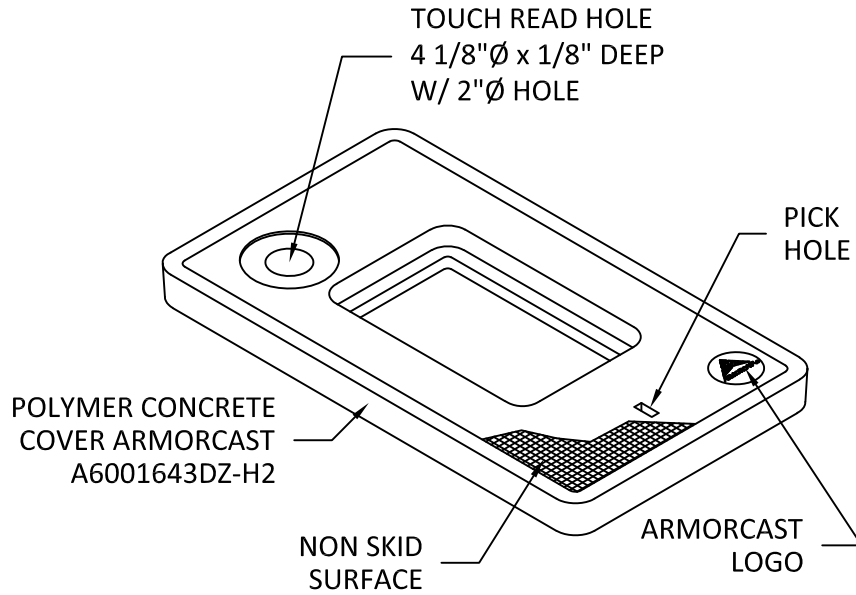


This Detail Drawing may not be altered or changed in any manner except by the City Engineer. It is the responsibility of the user to acquire the most current version.

APPROX. WT. = 43 LBS.



Meter Box Cover - 1 1/2" & 2" Meter

CITY OF
WILSONVILLE



DRAWING NUMBER: WT-3051

DRAWN BY: SR

SCALE: N.T.S.

FILE NAME: WT-3051.DWG

APPROVED BY: NK

DATE: 6/4/14

PUBLIC WORKS STANDARDS