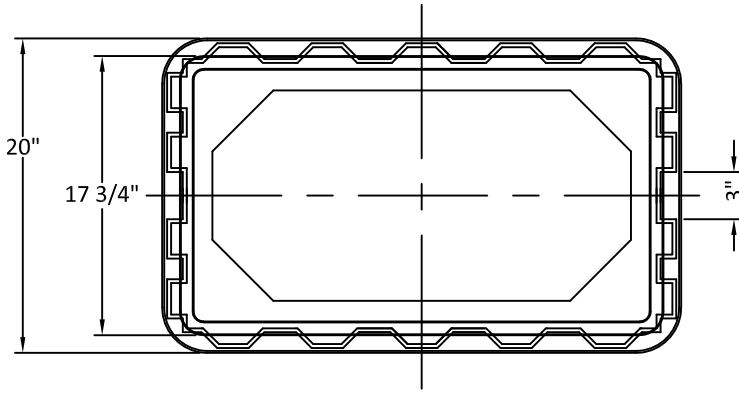
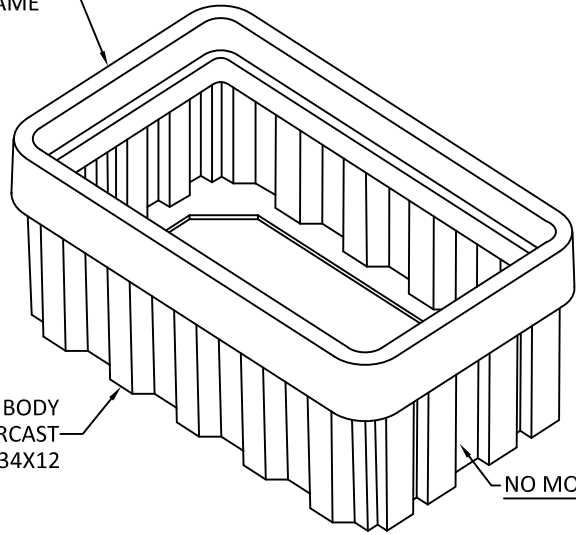


This Detail Drawing may not be altered or changed in any manner except by the City Engineer. It is the responsibility of the user to acquire the most current version.

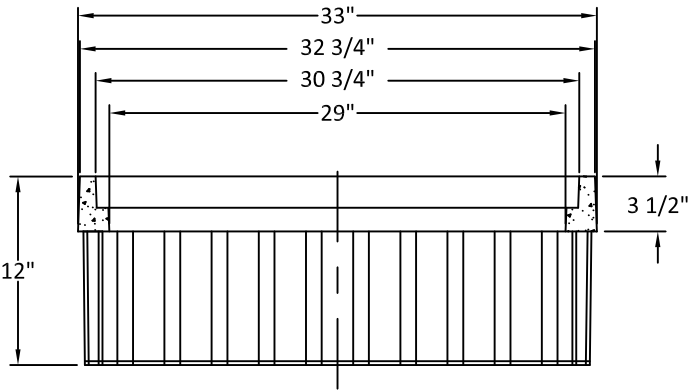


POLYMER CONCRETE (RPM) FRAME

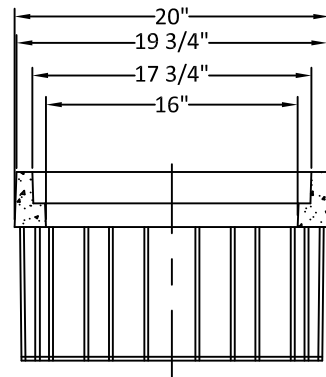


ROTOCAST BODY ARMORCAST P6001534X12

NO MOUSE HOLES



SIDE VIEW



END VIEW

Meter Box - 1 1/2" & 2" Meter

CITY OF WILSONVILLE



DRAWING NUMBER: WT-3050

DRAWN BY: SR

SCALE: N.T.S.

FILE NAME: WT-3050.DWG

APPROVED BY: NK

DATE: 6/4/14

PUBLIC WORKS STANDARDS