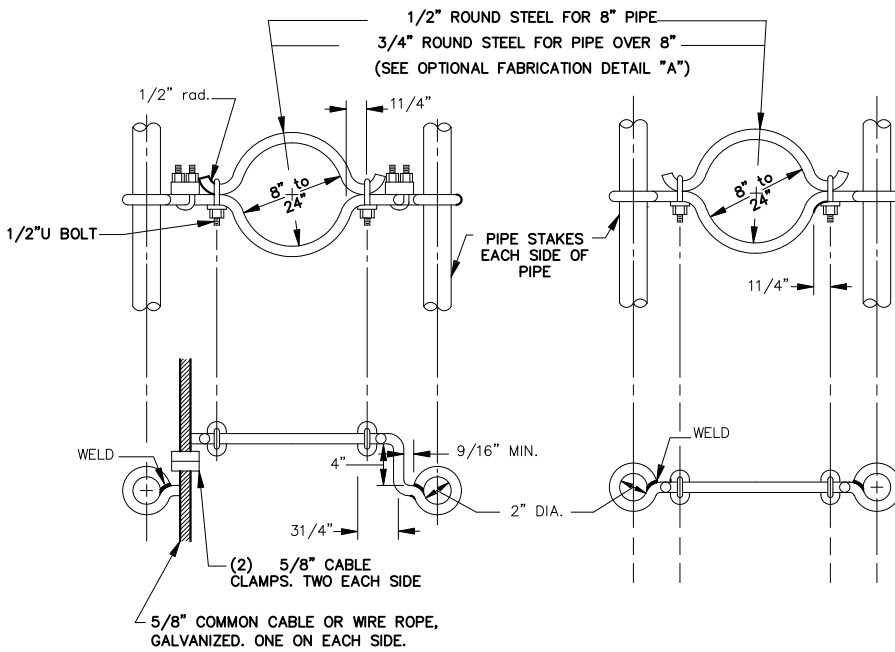


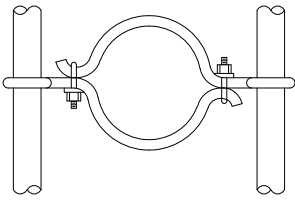
This Detail Drawing may not be altered or changed in any manner except by the City Engineer. It is the responsibility of the user to acquire the most current version.



WITH CABLE

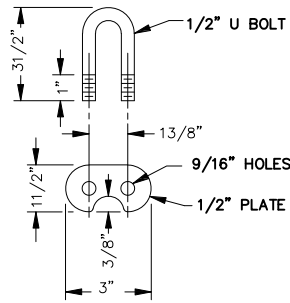
WITHOUT CABLE

**ANCHOR ASSEMBLY**  
(CABLES AND CABLE CLAMPS TO BE USED WHEN SPECIFIED)

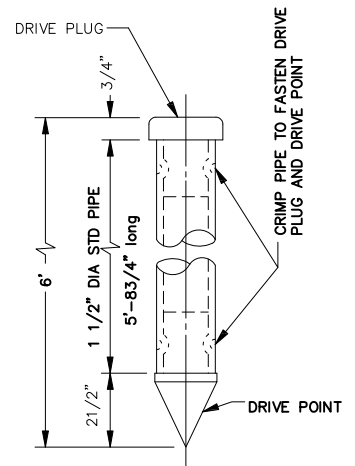


DETAIL "A"

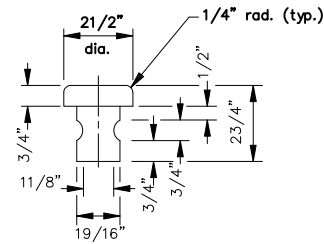
(OPTIONAL FABRICATION FOR IDENTICAL UPPER AND LOWER PIPE CLAMP PARTS.)



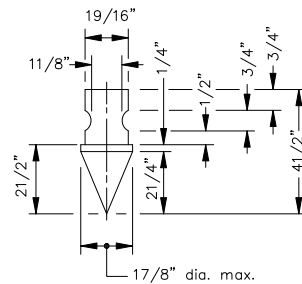
U BOLT



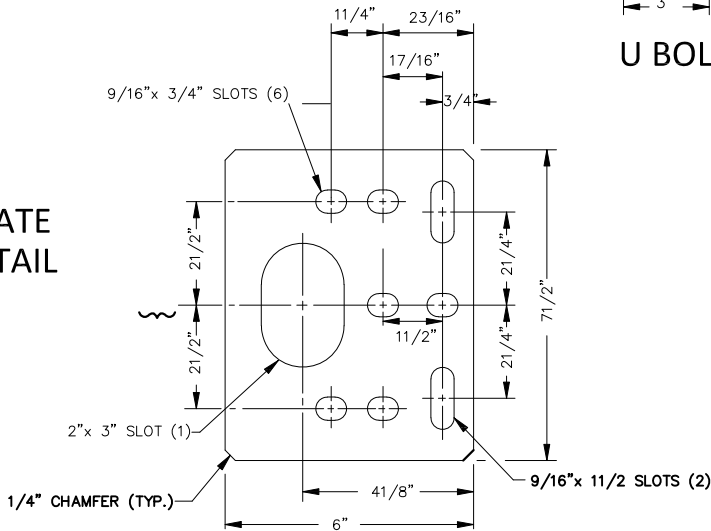
DRIVE PLUG  
CAST IRON



DRIVE POINT  
CAST IRON



**PLATE  
DETAIL**



**Pipe Slope Anchor - Steel**

**CITY OF  
WILSONVILLE**



DRAWING NUMBER: S-2196

DRAWN BY: SR

SCALE: N.T.S.

FILE NAME: S-2196.DWG

APPROVED BY: NK

DATE: 6/4/14

**PUBLIC WORKS STANDARDS**