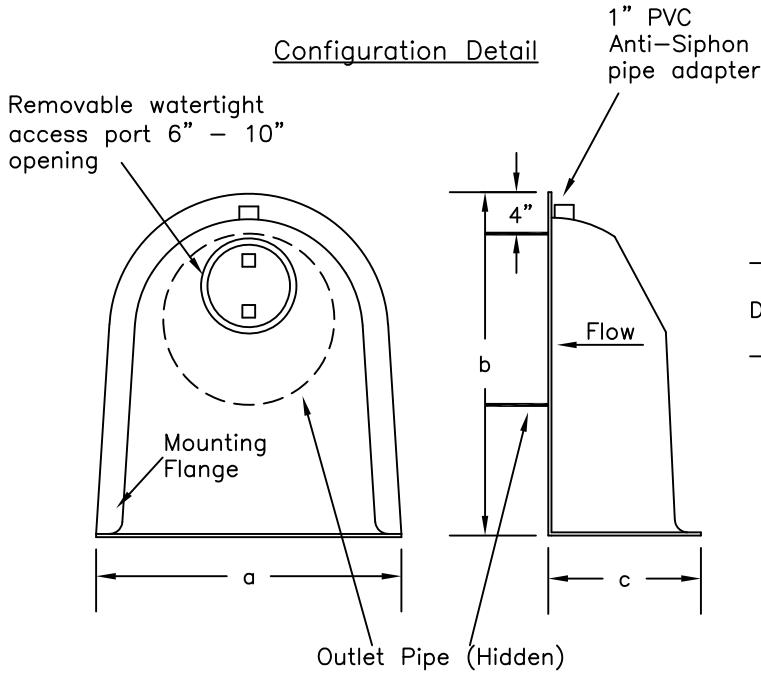
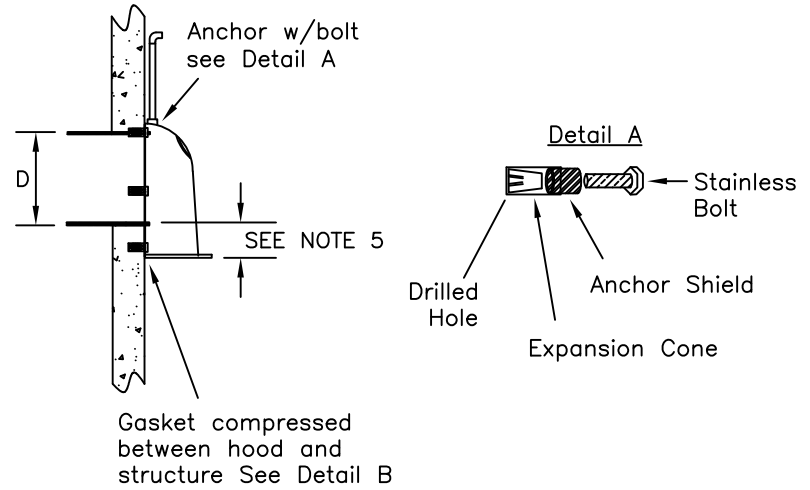


This Detail Drawing may not be altered or changed in any manner except by the City Engineer. It is the responsibility of the user to acquire the most current version.



Installation Detail



Installation Note:
Position Hood such that bottom flange is below the pipe invert.

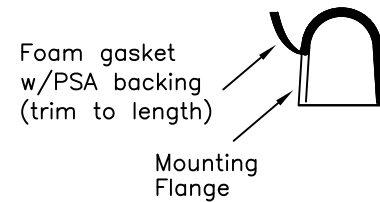
Outlet Pipe D	MH Size	Snout Specifications		Dimensions		
		Snout Model	Anchor Bolts Needed	"a"	"b"	"c"
12" & 15"	48" X 60"	18R10	6	24.00	27.00	14.18
		w/18RRS Riser				
18" & 21"	48" X 60"	24R	8	30.00	34.00	18.00
		w/24RRS Riser				
24" & 27"	60" X 72"	30R	8	36.00	41.00	22.25
30" to 48"	72"	52R72		54.66	83.00	34.66
		2 Piece	14			

Note: Insertion depth (D) varies with outlet pipe diameter and snout model

NOTES:

- ALL HOODS AND TRAPS FOR CATCH BASINS AND WATER QUALITY STRUCTURES SHALL BE AS MANUFACTURED BY BEST MANAGEMENT PRODUCTS, INC. (860)434-0277, (860)434-3195 FAX TOLL FREE: (800) 504-8008 OR (888) 354-7585 WEB SITE: www.bmpinc.com OR PRE-APPROVED EQUAL.
- ALL HOODS SHALL BE CONSTRUCTED OF A GLASS REINFORCED RESIN COMPOSITE WITH ISO GEL COAT EXTERIOR FINISH WITH A MINIMUM 0.125" LAMINATE THICKNESS.
- ALL HOODS SHALL BE EQUIPPED WITH A WATERTIGHT ACCESS PORT, A MOUNTING FLANGE, AND AN ANTI-SIPHON VENT AS DRAWN. (SEE CONFIGURATION DETAIL)
- THE SIZE AND POSITION OF THE HOOD SHALL BE DETERMINED BY OUTLET PIPE SIZE AS PER MANUFACTURER'S RECOMMENDATION.
- THE BOTTOM OF THE HOOD SHALL EXTEND DOWNWARD A DISTANCE OF 18" FROM I.E. OUT. For 18R AND 24R INSTALL RISER. FOR 30R MODEL, AN EXTENSION LESS THAN 18" IS ACCEPTABLE.
- THE ANTI-SIPHON VENT SHALL EXTEND ABOVE HOOD BY MINIMUM OF 3" AND A MAXIMUM OF 24" ACCORDING TO STRUCTURE CONFIGURATION.
- THE SURFACE OF THE STRUCTURE WHERE THE HOOD IS MOUNTED SHALL BE FINISHED SMOOTH AND FREE OF LOOSE MATERIAL.
- THE HOOD SHALL BE SECURELY ATTACHED TO STRUCTURE WALL WITH 3/8" STAINLESS STEEL BOLTS AND OIL-RESISTANT GASKET AS SUPPLIED BY MANUFACTURER. (SEE INSTALLATION DETAIL).
- INSTALLATION INSTRUCTIONS SHALL BE FURNISHED WITH MANUFACTURER SUPPLIED INSTALLATION KIT. INSTALLATION KIT SHALL INCLUDE:
 - INSTALLATION INSTRUCTIONS
 - PVC ANTI-SIPHON VENT PIPE AND ADAPTER
 - OIL-RESISTANT CRUSHED CELL FOAM GASKET WITH PSA BACKING
 - 3/8" STAINLESS STEEL BOLTS
 - ANCHOR SHIELDS

Detail B



Storm Pretreatment Manhole Snout

DRAWING NUMBER: S-2051

DRAWN BY: SR

SCALE: N.T.S.

FILE NAME: S-2051.DWG

APPROVED BY: NK

DATE: 6/4/14

CITY OF
WILSONVILLE



PUBLIC WORKS STANDARDS